

## DATALOGIC - LIGHT BEAM SG BODY COMPACT MUTING

SG4-S2-050-PP-W

SG4-S2-050-PP-W 2 Beam Type 4

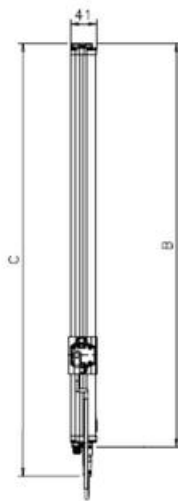
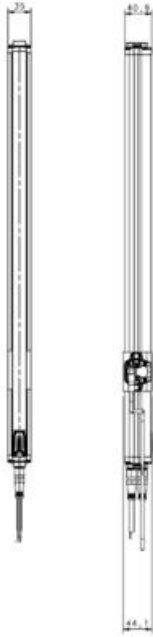
- Range up to 50 m
- Built-in muting
- "T" and "L" solutions



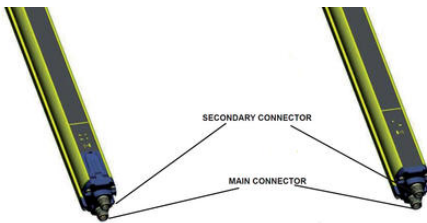
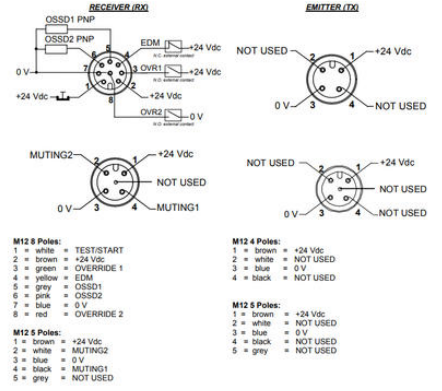
### PRODUCT DESCRIPTION

### SPECIFICATIONS

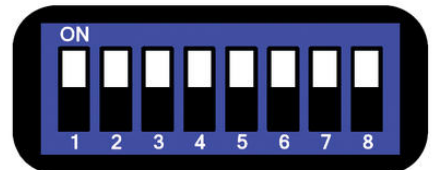
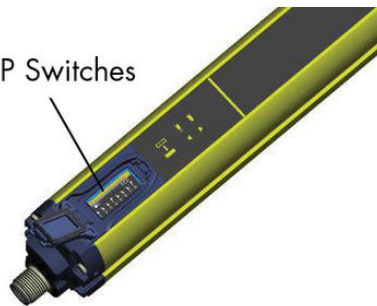
<b>Approvals</b>	CE, cULus, TÜV
<b>Cable Length Max</b>	50 m
<b>Conforming To</b>	EMC, LVD, MD
<b>Contact Current Max</b>	0,5 A
<b>Distance Max</b>	50 m
<b>Function</b>	Manual/Automatic restart, Override, Muting, EDM
<b>IP Class</b>	IP65
<b>Material of body</b>	Aluminium
<b>Number Of Beams</b>	2
<b>PL</b>	e (EN ISO 13849-1)
<b>Protection height</b>	500 mm
<b>Scope</b>	0,5-50 m
<b>SIL</b>	3 (EN IEC 61508)
<b>Supply voltage</b>	24 V DC
<b>Temperature range from</b>	0 °C
<b>Temperature range to</b>	55 °C



MODEL	B (mm)	C (mm)
SG 2 050	653	700
SG 3 080	953	1000
SG 4 090	1053	1100
SG 4 120	1353	1400



DIP Switches



dip-sw	Function	ON	OFF
1,5	Muting time-out	10 min	∞
2,6	Muting	T config. (4 beams)*	L config. (2 beams)
3,7	EDM	Deactivated	Activated
4,8	Reset	Automatic	Manual

\* \*Cross-beam muting is configured in the same way as T-muting.