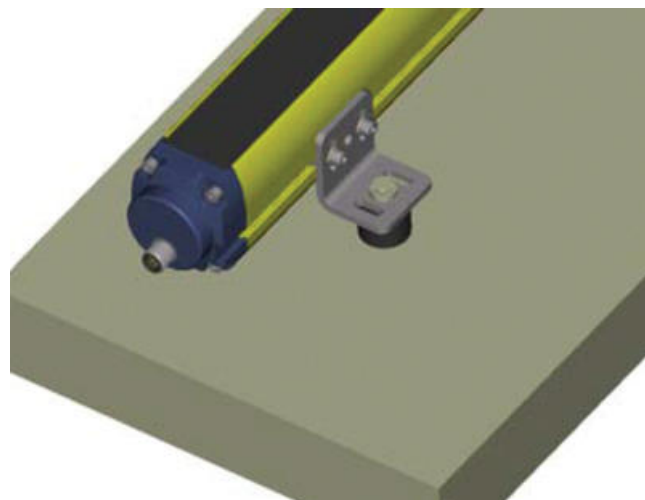


## DATALOGIC - ACCESSORIES LIGHT BULBS

S50030026

SG-PSB mounting bracket



### PRODUCT DESCRIPTION

### SPECIFICATIONS

<b>Dimension (mm)</b>	20x34mm
<b>Material</b>	Aluminium