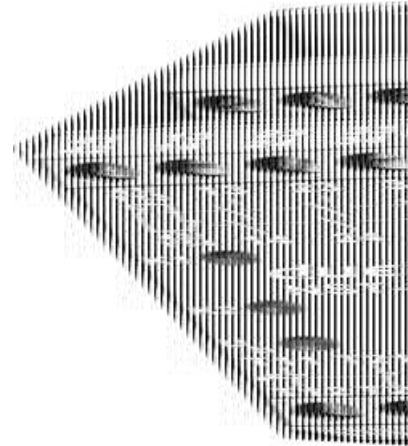


DUELCO - NST-2004 SAFETY RELAY

42010204

NST2004F 24VDC E-STOP RELAY

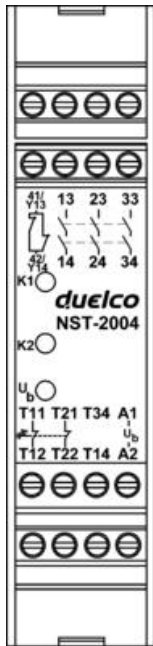
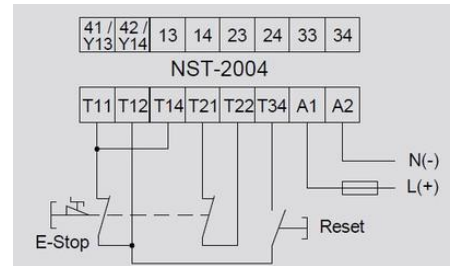
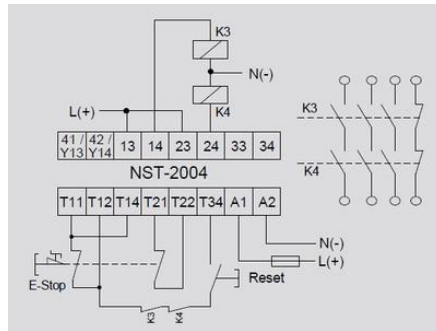
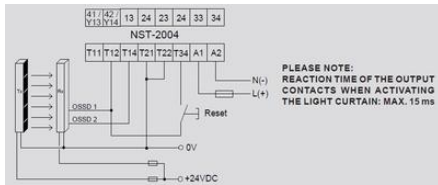
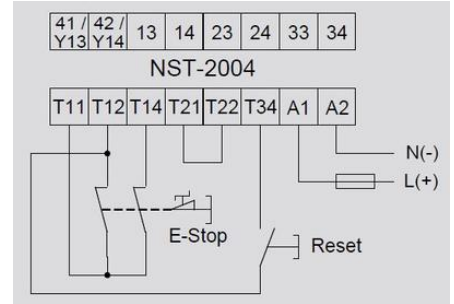
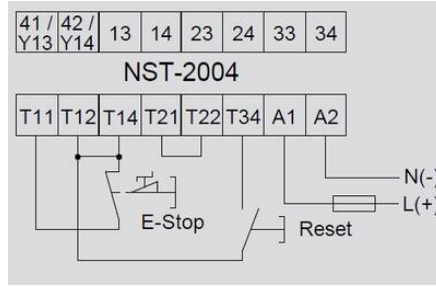
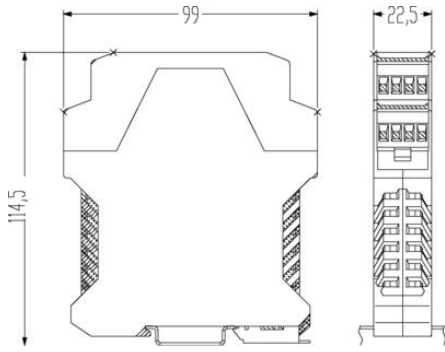
- Safety Category 4 (PLe)
- 3 NO safety outputs
- 1 transistor output or 1 NC contact
- Status/fault indication via LEDs
- Short circuit monitoring

**PRODUCT DESCRIPTION**

One of the most common relays in our safety relay range. Suitable for most applications including switches, light curtains and non contact switches. Transistor output for PLC monitoring.

SPECIFICATIONS

Supply voltage	24 V DC
Tolerance	±10%
Reset type	Automatic/Manual, Manual monitored
Safety outputs NO	3
Signal output NC	1
Width	22,5 mm
IP Class Housing	IP40
IP Class Connection	IP20
Temperature range from	-25 °C
Temperature range to	60 °C
Safety category	4
PL	e (EN ISO 13849-1)



On the bottom of safety relay there is DIP-switches, where you can choose below functions:

