

COLIBRI ENCLOSURES

22.902.120

Colibri S, rear wall C (29x29mm)



- Micro enclosure for cameras up to 30x30mm, such as Basler ACE
- Maximum lens diameter 39mm
- Inner length 146mm (S) and 176mm (M)
- Excellent heat dissipation, IP66 rated
- Wide selection of accessories available for mounting and maintenance

PRODUCT DESCRIPTION

[Enclosure Configurator](#)

The Colibri housing is suitable for small cameras with 29 x 29mm or 30 x 30mm cross section and lenses up to 39mm diameter. With just 50 x 50mm (w x h) and 181mm, or 211mm overall length is only slightly larger than the protected camera with lens and port. You can insert a plurality of connectors with up to 20.5mm diameter. Thanks to the 30 to 40mm profile adapter it can be easily adapted to the modular system and be fixed as usual on the dovetail profiles. The Colibri is the ideal solution for space- and cost-critical applications where the comprehensive accessories of Salamander enclosures are not required.

autoVimation offers a wide selection of enclosures to suit even the most specific requirements. To find a suitable enclosure please see the Enclosure Configurator (link above) or contact OEM Finland sales team for additional info!



Front Lid Profile S Profile M RearWall A RearWall B RearWall C

Order Numbers:

Colibri S			Colibri M		
Camera Height	Rear Wall	Order Number	Camera Height	Rear Wall	Order Number
29mm	A	22.900.120	29mm	A	22.900.150
	B	22.901.120		B	22.901.150
	C	22.902.120		C	22.902.150
30mm	A	23.000.120	30mm	A	22.900.150
	B	23.001.120		B	23.001.150
	C	23.002.120		C	23.002.150

SPECIFICATIONS

Central Material	Anodised aluminum
Height	50 mm
Inner length	146 mm
IP Class	IP66
Length	156 mm

Max camera height	30 mm
Max camera width	30 mm
Max connector size	20,5 mm
Max lens diameter	39 mm
Weight	420 g
Width	50 mm
Window seal	Hytrel



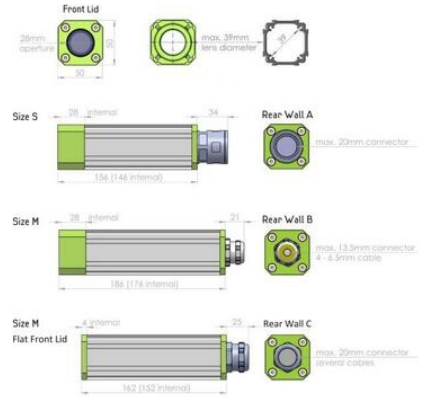
Order Numbers:

Product ID	Camera Height	Enclosure Type	Rear Wall/Front Lid		Length
			Front Lid	Flat	
2	25 + 2.9 30 + 3.0	0	standard	0	S: 120
			1	1	M: 150
			2	2	
			2	2	

Surcharge Colibri Custom Length: 20.000.045 Colibri Pir Firefly, 80mm, Flat Front Lid, Rear Wall C: 22.707.080

Accessories:

Product	Image	Order No.	Product	Image	Order No.	Product	Image	Order No.
Air Nozzle		50.100.023	28mm PA Tube		20.000.006	Mounting Kit 27		5.270.000
Deflection Mirror 90°		20.020.004	Mounting Kit 21		5.210.000	Mounting Kit 28		5.280.000
30/40mm Bracket		10.062.979	Mounting Kit 22		5.220.000	Mounting Kit 29		5.290.000
Surcharge Dome		20.000.092	Mounting Kit 24		5.240.000			



Order Numbers:

Product ID	Camera Height	Enclosure Type	Rear Wall/Front Lid		Length
			Front Lid	Flat	
2	25 + 2.9 30 + 3.0	0	standard	0	S: 120
			1	1	M: 150
			2	2	
			2	2	

Surcharge Colibri Custom Length: 20.000.045 Colibri Pir Firefly, 80mm, Flat Front Lid, Rear Wall C: 22.707.080

Accessories:

Product	Image	Order No.	Product	Image	Order No.	Product	Image	Order No.
Air Nozzle		50.100.023	28mm PA Tube		20.000.006	Mounting Kit 27		5.270.000
Deflection Mirror 90°		20.020.004	Mounting Kit 21		5.210.000	Mounting Kit 28		5.280.000
30/40mm Bracket		10.062.979	Mounting Kit 22		5.220.000	Mounting Kit 29		5.290.000
Surcharge Dome		20.000.092	Mounting Kit 24		5.240.000			

