

## PH05 ABSOLUTE HOLLOW SHAFT ENCODER

PH0514PSSG13126

Absolute encoder, SSI, gray, M23 connector

- Diameter 58mm, bore 14mm
- Resolution (Max): 13x16 bits
- Output SSI, parallel and CANopen
- IP65



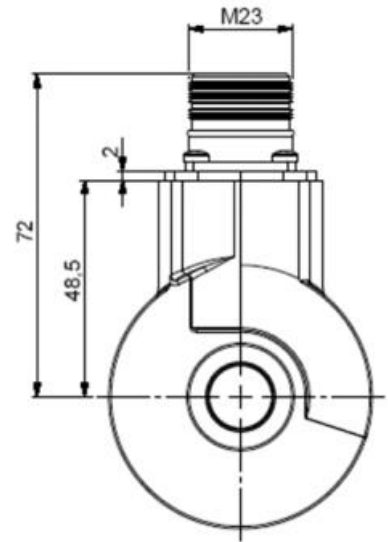
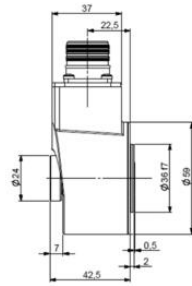
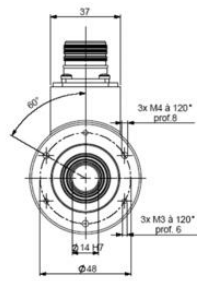
### PRODUCT DESCRIPTION

### SPECIFICATIONS

<b>IP Class</b>	IP65
<b>Shaft Diameter</b>	14 mm
<b>Connection Thread</b>	M23 contact
<b>Temperature range to</b>	85 °C
<b>Housing diameter</b>	58 mm
<b>Temperature range from</b>	-20 °C
<b>Version</b>	Multiturn
<b>Supply Voltage DC Max</b>	30 V DC
<b>Output</b>	SSI
<b>Supply Voltage DC Min</b>	5 V DC
<b>Speed max.</b>	6000 rpm
<b>Sensor type</b>	Absolute
<b>Resolution</b>	Max. 13 bit resoluutiolle ja 12 bit kierroksille

SSI CONNECTION

Type	Vcc	Grd	Ck+	Data+	Rst	Data-	Ck-	Direction	OUT1	OUT2
S6	1	2	3	4	5	6	7	9	10	11
S7	BH Brown	WH White	GN Green	GY Grey	BU Blue	PK Pink	YE Yellow	RD Red	BK Black	RO/BU Red/ Blue
M8	8	1	3	2	6	10	11	5	4	9



SSI CONNECTION

Type	Vcc	Grd	Ck+	Data+	Rst	Data-	Ck-	Direction	OUT1	OUT2
S6	1	2	3	4	5	6	7	9	10	11
S7	BH Brown	WH White	GN Green	GY Grey	BU Blue	PK Pink	YE Yellow	RD Red	BK Black	RO/BU Red/ Blue
M8	8	1	3	2	6	10	11	5	4	9

