

## ALUMINIUM ENCLOSURES

1060000

Alu Enclosure CA060 (58X64X36)

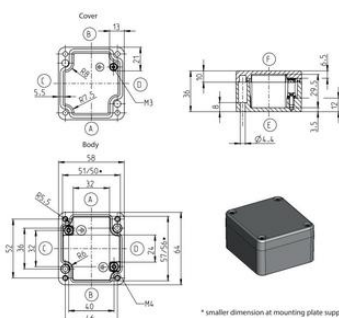
- Robust and shock resistant design
- Durable neoprene seal
- High protection, IP65 rated



### PRODUCT DESCRIPTION

### SPECIFICATIONS

<b>Width</b>	58 mm
<b>Height</b>	64 mm
<b>Depth</b>	36 mm
<b>Lid</b>	Grey
<b>Color</b>	Grey RAL 7001
<b>Material</b>	Aluminium
<b>IP Class</b>	IP66
<b>Temperature range from</b>	-40 °C
<b>Temperature range to</b>	80 °C



\* smaller dimension at mounting plate support

#### Enclosure incl. seals

Seal Type	Temperature Range	Coating Possibility
PUR-seal (standard)	-30°C to +80°C	with standard coating
CR-seal	-30°C to +80°C	with standard coating possible
Silicone foam seal	-60°C to +130°C	without standard coating possible
Silicone full seal	-60°C to +200°C	without standard coating possible
EPDM seal	-35°C to +100°C	without standard coating possible
HF/EMC seal	-55°C to +125°C	without standard coating possible

