

EW 45 METAL CONNECTOR

0609.000.016

EW 45-M AD3/8" M16x1,5 connector 45° bend

- Suitable for LIQUID-TIGHT -EF, -HT, -OR, -UL and CSA conduits
- Metric or PG thread



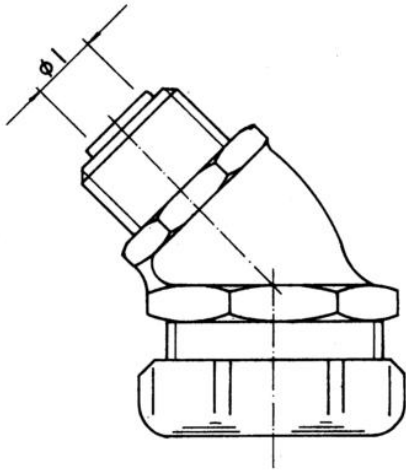
PRODUCT DESCRIPTION

EW 45 is a metal connector with 45° bend. Made of nickled brass. Waterproof construct, IP67 rated.

Available with metric or PG thread.

SPECIFICATIONS

Hose dimension AD2	12,5x18
Thread	M16x1,5
Pack Size	10
IP Class	IP67
Temperature range from	-45 °C
Temperature range to	105 °C
Weight kg / 100 ± 10%	7,3
Material	Nickel-plated brass



MONTAGEANLEITUNG
ASSEMBLY INSTRUCTION
INSTRUCTIONS DE MONTAGE

