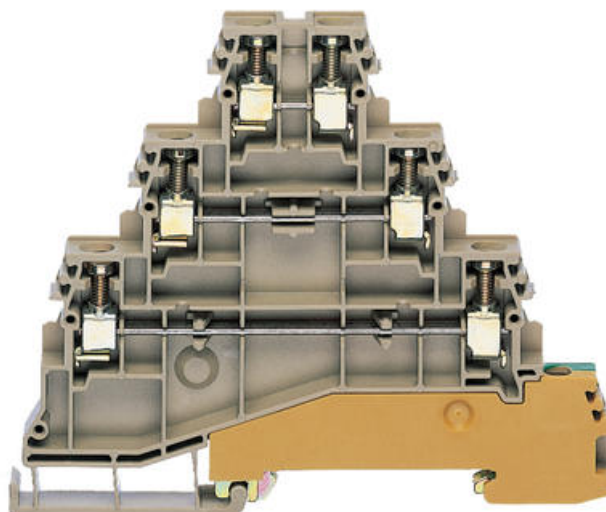


TRIPLE DECK TERMINALS - IKD 2.5MM²/VMAK

IKD, VMAK

1260.2
IK 2,5 BG

- For connecting encoders or motor outputs
- Material polyamide 6.6
- Colour marked versions available
- Temperature resistance -40 °C...+150 °C
- Flammability class V2



PRODUCT DESCRIPTION

SPECIFICATIONS

Approvals	UL, cUL, KEMA KUR
Color	Beige
Connections	4
Contamination degree	3
Country of origin	CZ
Cross connect channels	3
Cross section single wire from	0,2 mm ²
Cross section single wire to	4 mm ²
Cross section stranded wire from	0,2 mm ²
Cross section stranded wire to	4 mm ²
Cross section stranded with ferrule from	0,2 mm ²
Cross section stranded with ferrule to	2,5 mm ²
Cross-Section	2,5 mm ²
cUL test standard	C22.2 No 158
Flammability class	UL94-V2
Height TS 32	62,8 mm
Height TS 35/7.5	58,3 mm

Insulation Material	Polyamide 6.6
KEMA KEUR test standard	EN 60947-7-1:2009
Length	62,8 mm
Mounting	TS 35/7,5
Number of levels	3
Operating temperature from	-40 °C
Operating temperature to	105 °C
Overvoltage category	III
Pack Size	100
Plug gauge acc. EN 60 947-1	A3
Rated current cUL	20 A
Rated Current IEC	24 A
Rated Current To UL	20 A
Rated impulse voltage	4 kV
Rated wire cross section from (AWG)	22
Rated wire cross section to (AWG)	14
Rated voltage cUL	300 V
Rated Voltage IEC	250 V
Rated Voltage To UL	300 V
Screw size	M 2,4
Screw type	Slotted
Stripping Length	7 mm
Tariff code	85369010
Torque max	0,8 Nm
Torque Min	0,4 Nm
Type of terminal	Screw Terminals, DIN Rail terminals
UL test standard	UL 1059
Weight	10,81 g
Width	5 mm