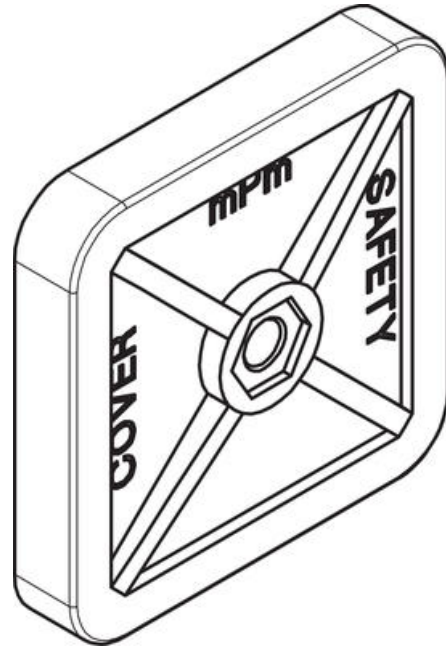


ACCESSORIES FOR MPM DIN CONNECTORS

B000107
mPm DIN Base

- Adapters
- Cover plates



PRODUCT DESCRIPTION

SPECIFICATIONS

Connector	DINA 43650
Manufacturer Part No	1210130006
Material	PA