

## MICROCOMPACT ANALOG/ANALOG SPLITTER, 1 INPUT / 2 OUTPUTS

750321

Signal conv. 1-in/2-out, splitter 24VAC/DC

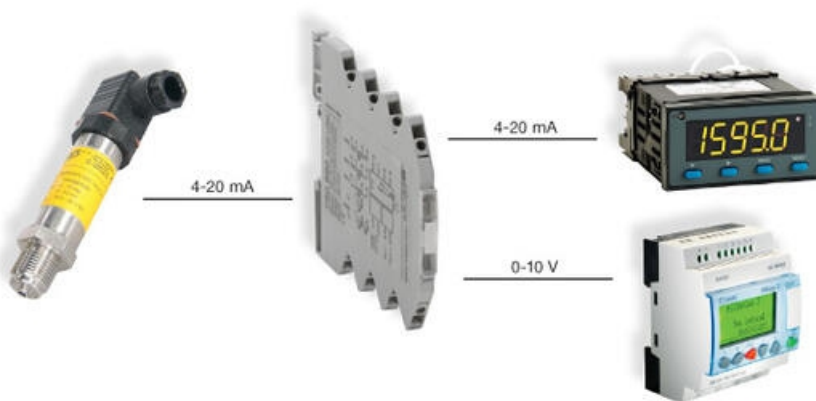
- 6,2mm wide
- Input and output selectable
- 4-way isolation, 2,5kV
- Automatic calibration
- 25V DC supply voltage



### PRODUCT DESCRIPTION

Microcompact splitter features common standard signals and a DIP switch for selecting the input and output signal. The converter is self-calibrating which ensures easy installation. The converter features 4-way galvanic isolation, each terminal can be connected by jumper comb. Extremely compact design, width of 6,2mm only. Can be installed in any position.

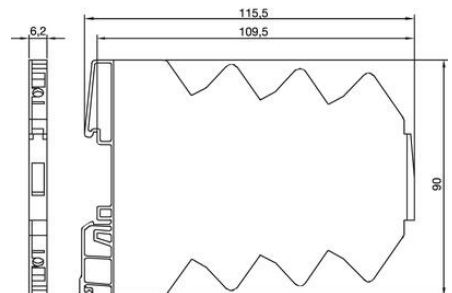
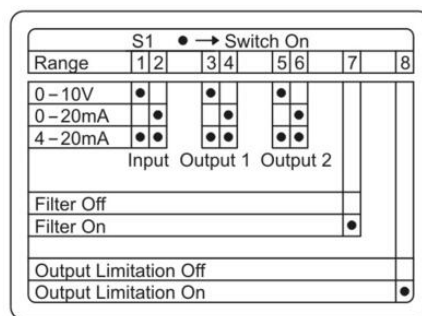
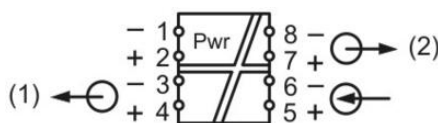
The splitter has 2 outputs for either current or voltage signal: for example the input is 4-20 mA, output #1 could be 4-20 mA and output 2# 0-10V. Splitter can also be programmed in order to achieve the optimal resolution.



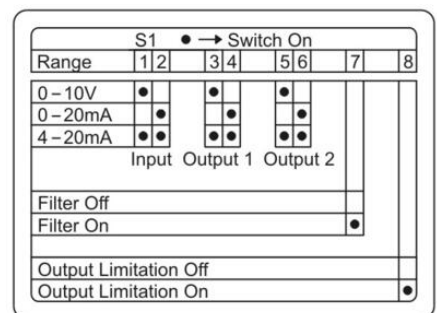
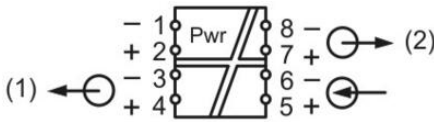
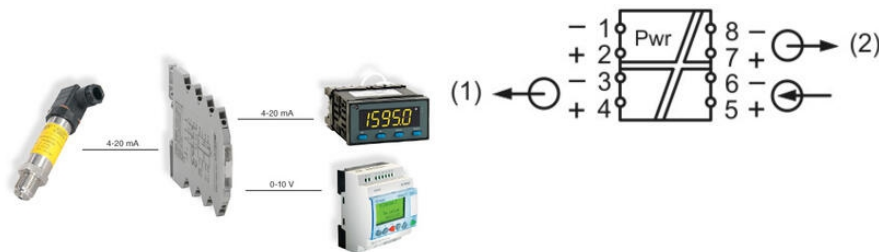
### SPECIFICATIONS

<b>Approvals</b>	CE, DNV, GL, RoHS
<b>Cross Section Max</b>	1,5 mm <sup>2</sup>
<b>Cross section min</b>	0,14 mm <sup>2</sup>

Input impedance current mA	0,1 $\Omega$
Input impedance voltage	500 k $\Omega$
Insulation voltage in/out	2500 V
Load impedance power	400 $\Omega$ @ 0–20 mA, 4–20 mA
Load impedance voltage	>2 k $\Omega$ @ 0–10 V
Power consumption	13 mA
Power Supply DC max	30 V
Power Supply DC min	16,8 V
Power Supply V DC	24 V DC



See instruction leaflet for details



See instruction leaflet for details

