

## CONVEYOR BELT MONITORING SWITCH SI2

601.5736.003

safety switch SI2-U2Z AW R-RAST

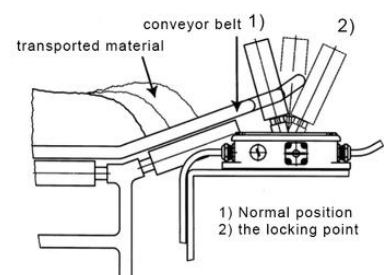
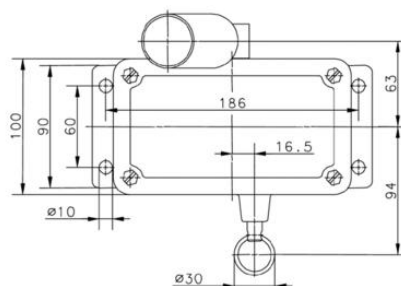
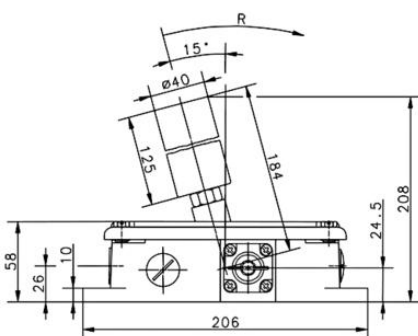
- Used for monitoring conveyor belt and preventing it from running off the track
- IP65 rated
- Metal body
- Two-stage alarm
- Force guided

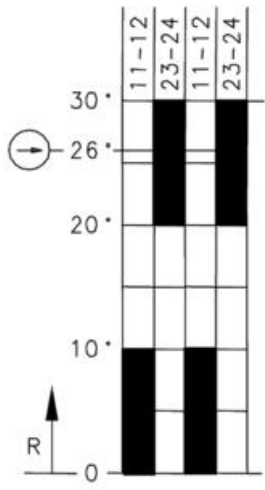


### PRODUCT DESCRIPTION

### SPECIFICATIONS

IP Class	IP65
Cable entry	3xM20
Approvals	CSA, UL
Voltage Max	500 V
Conventional Thermal Current	10 A
Temperature range from	-30 °C
Temperature range to	80 °C
Material	Steel





ON OFF