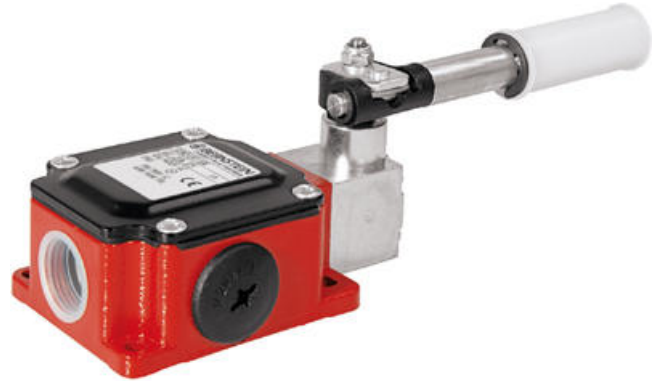


CONVEYOR BELT MONITORING SWITCH SISN2

611.1336.073

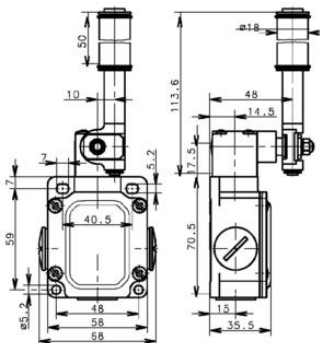
- Used for monitoring conveyor belt and preventing it from running off the track
- IP65 rated
- Aluminium body
- Force guided



PRODUCT DESCRIPTION

SPECIFICATIONS

IP Class	IP65
Cable entry	3xM20
Approvals	CSA, UL
Voltage Max	400 V
Conventional Thermal Current	10 A
Temperature range from	-30 °C
Temperature range to	80 °C
Material	Aluminium



On Off

