

C9 MINIATURE RELAY

4-pole 5 A

C9A4124A

Relay 14 Pin 4 Pole 0.2 μ Au 24V ac

- Colour-coded test button, both lockable and non-locking
- Marking system
- Mechanical indication

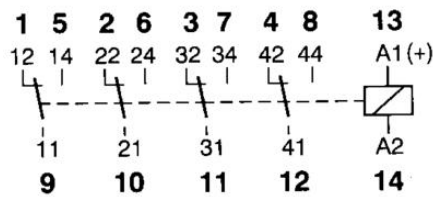
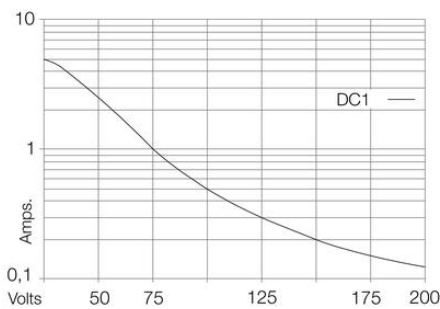


PRODUCT DESCRIPTION

SPECIFICATIONS

Working Un	0,8-1,1
Nominal power ac	1,2 VA
Coil Voltage AC	24 V AC
OFF-Voltage Un Max	0,25
Number Of Contacts	4
Contact Material	AgNi + 0,2 μ Au
Switching Capability Voltage	250 V
Breaking Capacity Current	5 A
The Recommended Maximum Load	5 A/250V AC-1; 5 A/30 V DC-1
Recommended Min Load	10 mA/10 V
Resistive Load 110 V DC Max	50 W
Resistive Load 24 V dc Max	100 W
Surge Current (20Ms)	15 A
Release Time	6 ms
Release Time Kontaktstudtid	7 ms
IP Class	IP40
Isolation Contact / Contact	2500 V

Isolation Contact / Coil	2000 V
Temperature range from	-40 °C
Temperature range bearing, from	-40 °C
Temperature range bearing, to	80 °C
Temperature range to	60 °C
Frequency	50 Hz
Weight	43 g
Approvals	CE, Gost R, RoHS, CCC, CSA, Lloyd's, UL

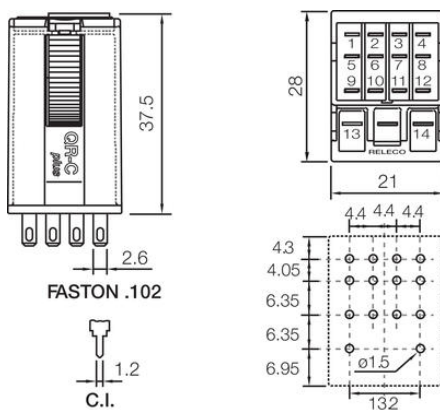


C9-A41 04

—□— AC 1.5 VA DC 0.9W

—/— 5A/250V AC-1

μ 5A/30V DC-1



FASTON .102

