



GENERAL PURPOSE PRESSURE TRANSDUCER

P3276B011001

Pressure sensor -0.1/0bar 4-20mA DIN A

- Accuracy 0.5 %
- For relative/absolute pressure
- Pressure range from -1...0 bar to 0...2,500 bar
- Zero point and span adjustment



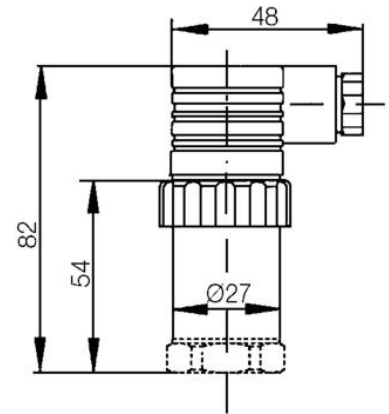
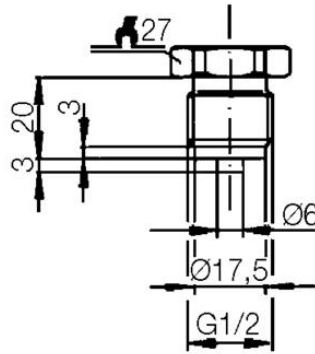
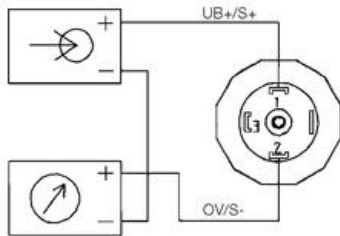
PRODUCT DESCRIPTION

Robust sensor with very good accuracy and a large number of measuring ranges. Possible to adjust zero point and span through potentiometers in the housing. Wide temperature range. Very high resistance to electromagnetic disturbances (EMC). Large range of special versions.

SPECIFICATIONS

Connection	Male thread
Connection Thread	G1/2
EMC	EN61326
IP Class	IP65
Material of sensor housing	Stainless steel SIS2350 (316)
Materials Wetted Parts	Stainless steel SIS2350 (316)
Pressure Range Max	0 bar
Pressure Range Min	-0,1 bar
Response Time	1 ms
Supply Voltage DC Max	30 V DC
Supply Voltage DC Min	10 V DC
Temperature ambient from	-20 °C
Temperature ambient to	80 °C

Temperature compensated range from	0 °C
Temperature compensated range to	80 °C
Temperature range of media from	-30 °C
Temperature range of media to	100 °C
Weight	0,2 kg



	2-tråd
	mA
Matningsspänning UB+	1
Matningsspänning 0V/S-	2
Signal S+	
Signal 0V/S-	