



P3297-SENSORS FOR INDUSTRIAL APPLICATIONS

P3297B069001

0-1 Bar,4-20mA,G1/4,DIN-A

- Compact
- Relative & absolute pressure
- Stainless steel
- 0-1 bar to 0-600 bar



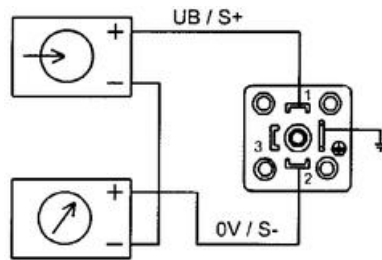
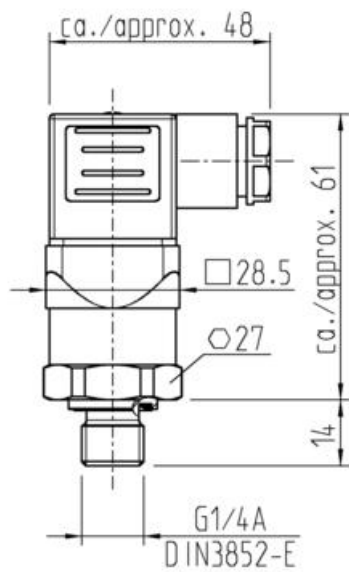
PRODUCT DESCRIPTION

Small compact sensor with both M12 and DIN connectors as standard versions. Resistant to vibrations and shocks. High resistance to electromagnetic disturbances (EMC).

SPECIFICATIONS

Approvals	RoHS, UL
Connection	Male thread
Connection Thread	G1/4
EMC	EN61326
IP Class	IP65
Material of sensor housing	Stainless steel SIS2350 (316)
Materials Wetted Parts	Stainless steel SIS2350 (316)
Pressure Range Max	1 bar
Pressure Range Min	0 bar
Response Time	4 ms
Shock Resistance	500 g according to IEC 60068-2-27
Signal type	4-20 mA
Supply Voltage DC Max	30 V DC
Supply Voltage DC Min	8 V DC
Temperature ambient from	-30 °C

Temperature ambient to	100 °C
Temperature compensated range from	0 °C
Temperature compensated range to	80 °C
Temperature range of media from	-30 °C
Temperature range of media to	100 °C
Weight	0,08 kg
Vibration Resistance	10 g according to IEC 60068-2-6



	2-tråd, 4-20 mA
	DIN-kontakt
Matningsspänning UB+	1
Matningsspänning 0V-	2
Signal S+	
Signal S-	

