

DATALOGIC - DS1 - AREA LIGHT CURTAIN SENSORS WITH BOTH DIGITAL AND ANALOGUE OUTPUT

DS1-LD-SR-010-JV
957701130 Light Grid Array Standard Res Res
Analogue/1 PNP

- Analogue measurement of the object's diameter or position
- Measurement height 100, 150 or 300mm
- Resolution down to 4mm
- Distance up to 4m between the transmitter / receiver



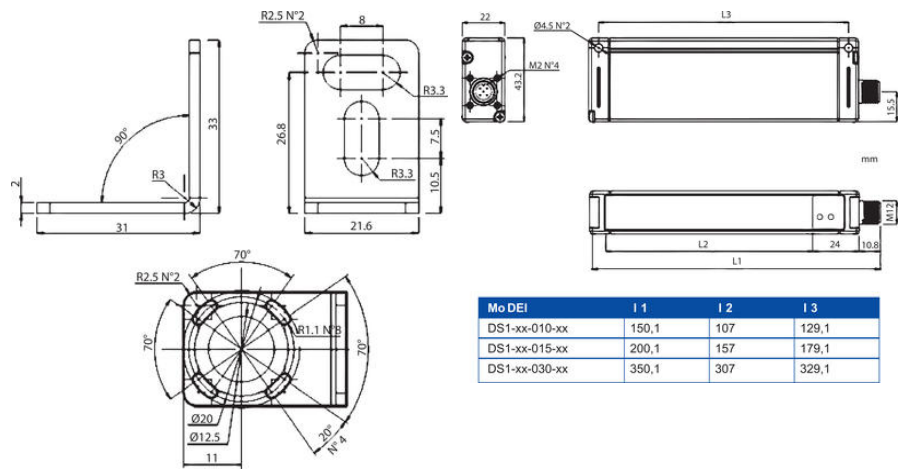
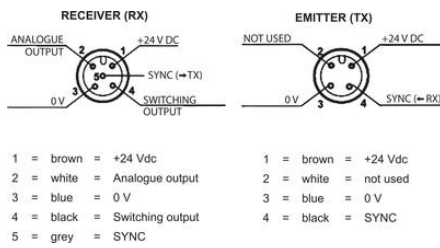
PRODUCT DESCRIPTION

The DS1 curtains are compact multibeam curtains suitable for detection and measurement of objects with irregular shape and dimensions. The curtains have both a PNP output and an analogue 0-10V output.

SPECIFICATIONS

Approvals	CE, cULus
Detection Height	100 mm
Dimension (mm)	22 x 43 x 150
Distance Max	2100 mm
Distance Min	150 mm
Electrical connection	M12 5 pole connector, M12 4 pole connector
IP Class	IP65
LED indicator	Yes
Lens material	PMMA
Light type	IR LED
Material of body	Aluminium
Output	0-10V, PNP
Output current max	0,1 A
Photocell technology	Curtain photocell

Power consumption max	0,15 A
Reaction time	2,75 ms
Relative measurement accuracy	± 3.5 - 7mm
Supply voltage	24 V DC
Temperature range bearing, from	-25 °C
Temperature range bearing, to	70 °C
Temperature range from	0 °C
Temperature range to	50 °C
Weight	300 g



Mo DEI	I 1	I 2	I 3
DS1-xx-010-xx	150,1	107	129,1
DS1-xx-015-xx	200,1	157	179,1
DS1-xx-030-xx	350,1	307	329,1