

## TAKEX - G SERIES COMPACT PHOTOELECTRIC SENSOR

GT5RS-PNP-N  
PHOTOSENSOR MIDI G T/BEAM PNP

- Compact one-piece photoelectric sensor
- Cable or connector
- Alarm output
- IP67



### PRODUCT DESCRIPTION

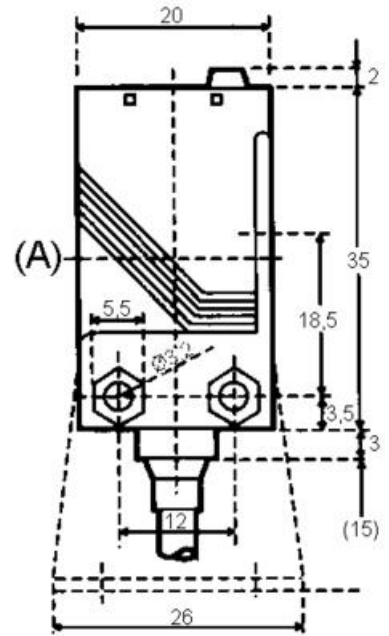
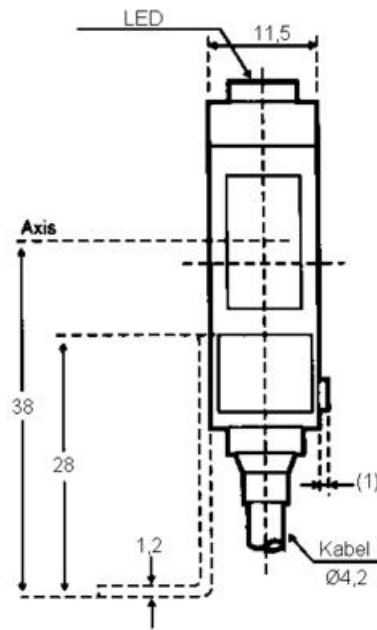
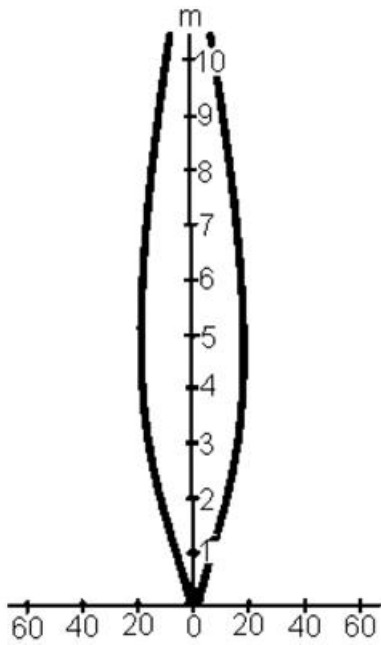
Compact one-piece photoelectric sensor to fit narrow machines. If detection to a reflector is required, GMR2RS is a natural first choice. A polarised lens eliminates any ghost reflections. The "protective casing with bracket" accessory permits very robust and secure fitting. A separate alarm output is provided as additional security.

### SPECIFICATIONS

Approvals	CE
Distance Min	0 mm
Electrical connection	Cable 2 m
Function	Dark On/Light On
IP Class	IP67
Light / Dark Switching	Yes
Light type	Red LED
Output	PNP
Photocell technology	Transmitter / receiver
Power consumption max	0,025 A
Reaction time	0,5 ms
Sensing	7000 mm
Temperature range from	-25 °C
Temperature range to	55 °C

Voltage DC max 24 V

Voltage DC min 12 V



●PNP

