

## TAKEX - GN/DN MINIATURE PHOTOELECTRIC SENSOR

GNT10CR-PNP  
PHOTOSENSOR MINI G T/BEAM PNP

- Miniature version with long distances
- Red visible light
- Cable or connector
- IP67



### PRODUCT DESCRIPTION

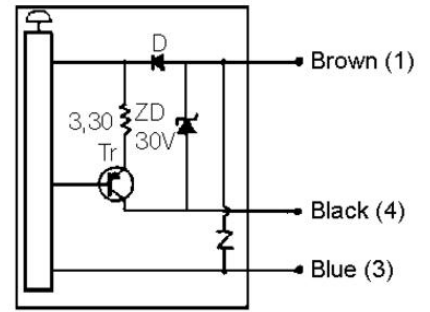
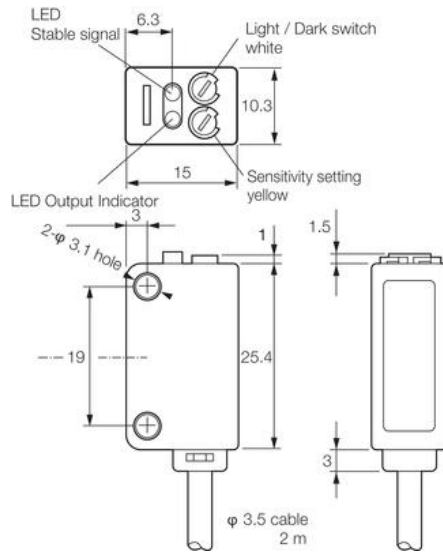
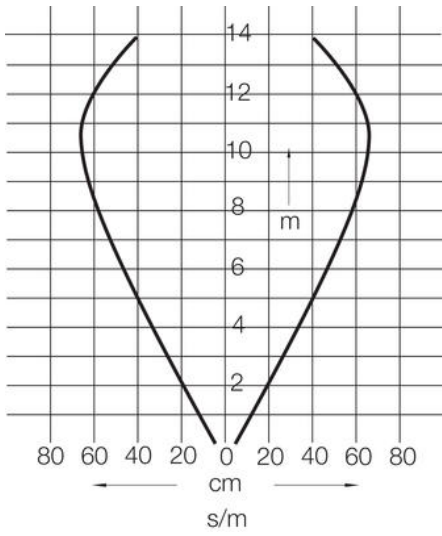
The GN/DN series is a series of miniature photoelectric sensors with long distances. Modern technology has allowed for the successful manufacture of a range of low-price photoelectric sensors offering high technical performance. The compact housings, together with long distances, make this series appropriate for most applications.

### SPECIFICATIONS

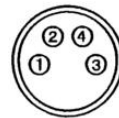
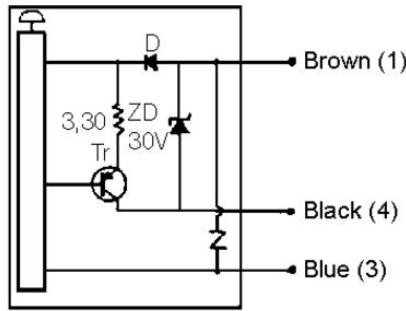
<b>Approvals</b>	CE
<b>Distance Min</b>	0 mm
<b>Electrical connection</b>	Cable 2 m
<b>Function</b>	Dark On/Light On
<b>IP Class</b>	IP67
<b>Light / Dark Switching</b>	Yes
<b>Light type</b>	Red LED
<b>Output</b>	PNP
<b>Photocell technology</b>	Transmitter / receiver
<b>Power consumption max</b>	0,022 A
<b>Reaction time</b>	0,5 ms
<b>Sensing</b>	10000 mm
<b>Temperature range from</b>	-25 °C
<b>Temperature range to</b>	55 °C

**Voltage DC max** 24 V

**Voltage DC min** 12 V



① Brown ② White ③ Blue ④ Black



① Brown ② White ③ Blue ④ Black