

## MECHAN HED ELECTRONIC HALL SAFETY SWITCH

HED-21-DC-06M-C

Electronic safety switch, 2 NO+1 NC, 6m cable, C

- Electronic, utilizes Hall-technology
- Coded magnetic safety switch
- Seal made of ABS, IP67
- Switching distance 7mm
- LED indication



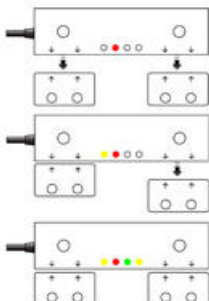
### PRODUCT DESCRIPTION

The HED safety switch monitors 2 adjacent doors with only one switch, saving on installation time, cabling and cost

With 2 x N/O + 1 N/C bidirectional solid state outputs along with a built in LED(s) for indication. When installed on a machine guard, power is applied, and the switch and actuator are within the specified operating range, the N/O Outputs will be closed, the N/C Output will be open.

The HE safety switches are fully encapsulated into an ABS or 316 stainless steel housing and available with 5, 10 or 15 metre pre-wired cable. With a 7mm switching distance the actuator can approach the switch from most angles. When both switches are closed the targets on the printed face of the switch must be aligned.

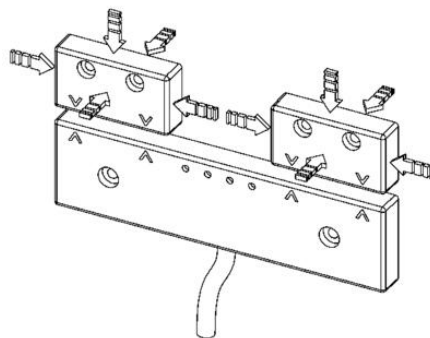
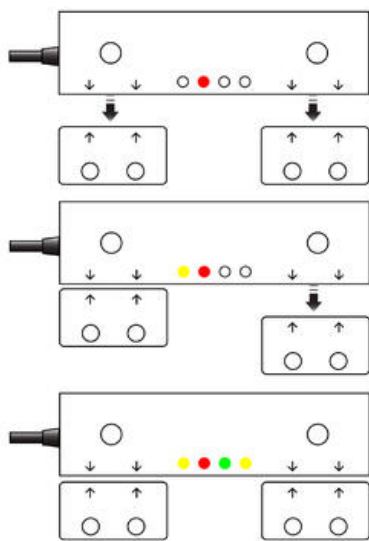
- Coded magnetic operation
- Dual Switch, monitors 2 doors
- 2 normally open + 1 normally closed output
- Solid state bi-directional outputs
- 24Vdc operation
- LED indication



### SPECIFICATIONS

<b>Contact Current Max</b>	400 mA
<b>Activation Distance From</b>	7 mm
<b>Signal contact NC</b>	1

<b>Activation Distances</b>	14 mm
<b>Safety contact NO</b>	2
<b>Material Case</b>	ABS plastic
<b>IP Class</b>	IP67, IP69K
<b>Temperature range to</b>	55 °C
<b>Temperature range from</b>	-25 °C
<b>B10d</b>	2,0 milj.



**Contacts 2NO + 1 NC**

