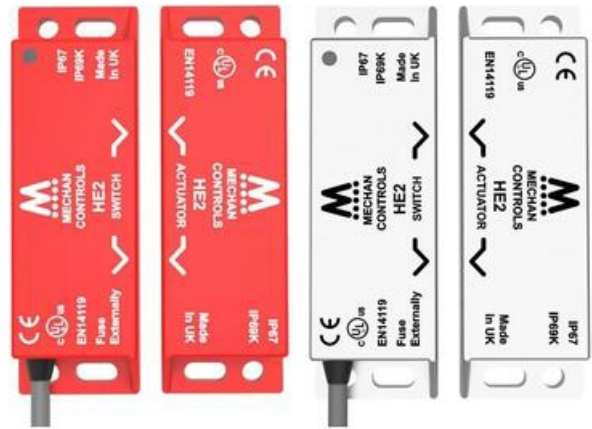


MECHAN HE2 ELECTRONIC HALL SAFETY SWITCH

HE2-11-DC-03M

Electronic safety switch, 1 NO+1 NC, 3m cable

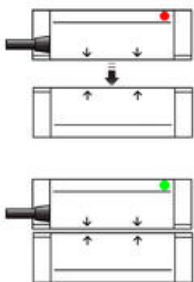
- Electronic, utilizes Hall-technology
- Coded magnetic safety switch
- Seal made of ABS or SS, IP67
- Switching distance 7mm
- LED indication



PRODUCT DESCRIPTION

The HE safety switches have up to 2 x N/O + 1 N/C bidirectional solid state outputs along with a built in LED(s) for indication. When installed on a machine guard, power is applied, and the switch and actuator are within the specified operating range, the N/O Outputs will be closed, the N/C Output will be open. The HE safety switches are fully encapsulated into an ABS housing and are available with 5, 10 or 15 metre pre-wired cable. With a 7mm switching distance the actuator can approach the switch from most angles. When the switch is closed the targets on the printed face of the switch must be aligned.

- Coded magnetic operation, ABS housing
- 2 normally open + 1 normally closed output
- Solid state bi-directional outputs
- 24vDC operation
- LED indication



SPECIFICATIONS

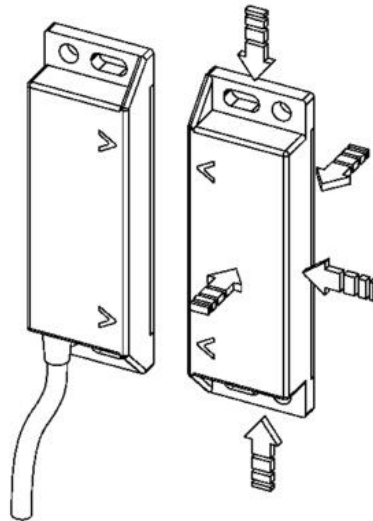
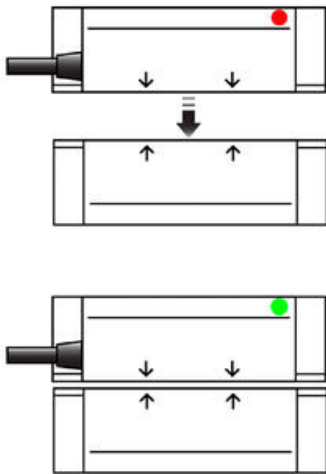
| | |
|---------------------------------|-------------|
| Contact Current Max | 400 mA |
| Activation Distance From | 7 mm |
| Signal contact NC | 1 |
| Activation Distances | 14 mm |
| Safety contact NO | 1 |
| Material Case | ABS plastic |

IP Class IP67, IP69K

Temperature range to 55 °C

Temperature range from -25 °C

B10d 2,0 milj.



HE1 / HE2 Contacts 1NO + 1NC

