

## MECHAN MAGNASAFE MS2, MS3, MS4

MS2-10-DC-03M  
Safety switch, 1 NO, 3m cable

- Max. 2 NO safety contact and 1 NC signal contact
- IP67, made of ABS or stainless steel
- Max. current DC: 30 V DC/ 1 A and AC: 230 V AC/ 2 A
- Cylindrical versions with M18 or M30 thread



### PRODUCT DESCRIPTION

The Mechan Magnasafe switches are magnetically operated safety switches. Easy to install and maintain, the Magnasafe switches are fully encapsulated non-contact switches ideal for long term use in harsh / wet environments. Available in a wide variety of sizes and contact configurations, MAGNASAFE switches are suitable for machine guarding applications where guard locking is not required.

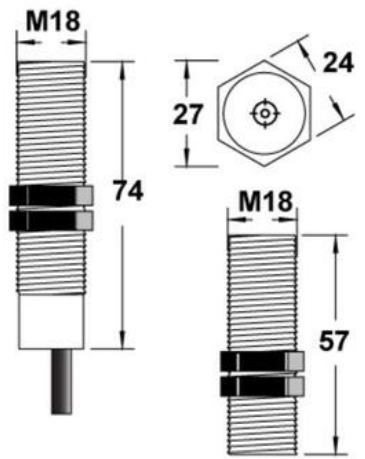
Tolerant to misalignment, the MAGNASAFE range of non-contact safety switches are suitable for use in wash-down areas making them ideal for use in the food processing / filling and packing industries as well as many other non-locking machine guard applications.

Features:

- Non-contact operation
- IP67 fully sealed, washdown
- ABS or stainless steel
- Max 2A switching capability
- Large range of sizes / fitting
- Quick disconnect options

### SPECIFICATIONS

<b>Contact Current Max</b>	1 A
<b>Activation Distance From</b>	10 mm
<b>Signal contact NC</b>	0
<b>Activation Distances</b>	30 mm
<b>Safety contact NO</b>	1
<b>Material Case</b>	ABS plastic
<b>IP Class</b>	IP67
<b>Temperature range to</b>	55 °C
<b>Temperature range from</b>	-10 °C



SWITCH

ACTUATOR